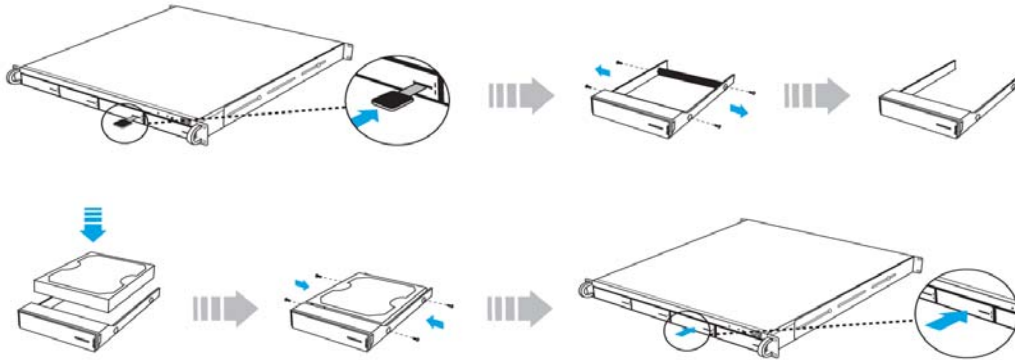


ES424X+B Quick Installation Guide

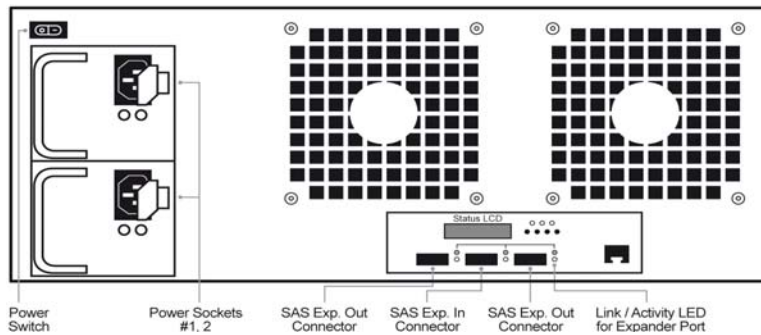
Hard Drive Installation

1. Press the key (included in the package) into the lock slot located at the front of the hard drive tray until the tray handle unlocks.
2. Pull on the tray handle to remove the tray from the enclosure.
3. Dismount the plastic tray protector rods by removing the screws on the sides of the tray.
4. Place the hard drive in the tray, and fasten it with the screws (included in the package) in corresponding locations.
5. Place the tray back into the enclosure and lock the tray by pushing in the tray handle.

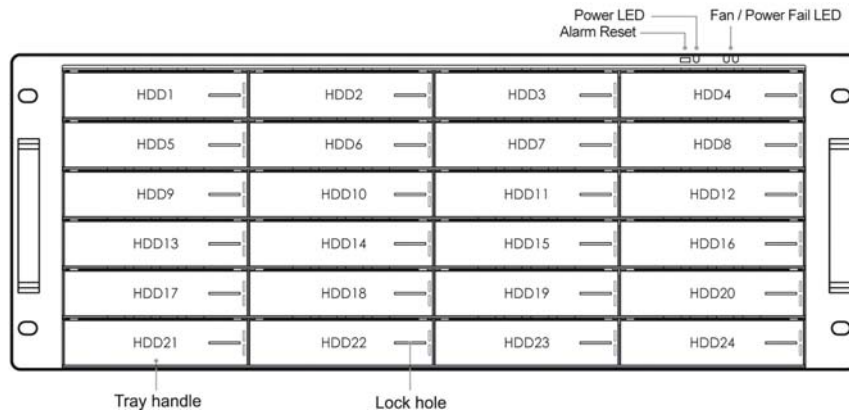


Product Diagrams

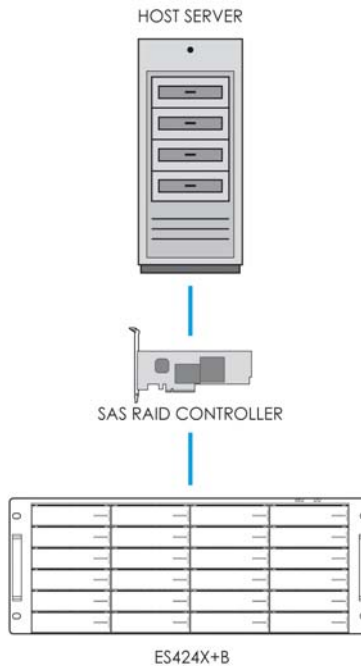
Unit Backplane



Hard Drive Locations



Connection Diagram



Function Key Definitions

The four function keys at the right of the front panel perform the following functions:

Key	Function
Up Arrow	Use to scroll the cursor Upward / Rightward
Down Arrow	Use to scroll the cursor Downward / Leftward
ENT Key	Submit selected icon function (Confirm a selected item)
ESC Key	Return to previous screen (Exit a selection configuration)

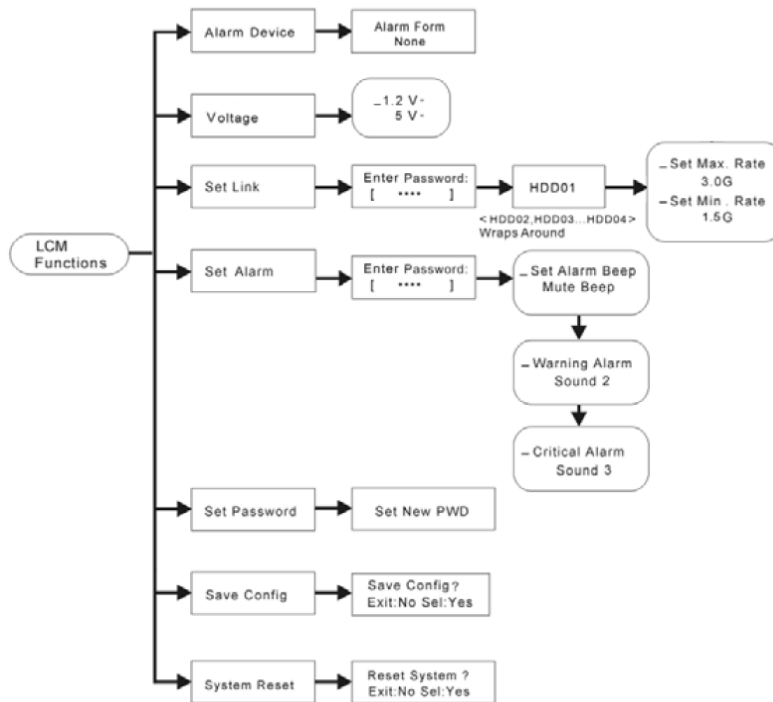
Controller LED Normal Status Problem Indication (Back Panel)

Panel LED	Normal Status	Problem Indication
Power LED	Bright Green	This LED does not light up after power switched on
Busy LED (Host Access)	Blink green during host computer accessing the expander box	LED never flickers
Fault LED	Unlit	Solid red

The LCD functions

The password option allows user to set or clear the SAS expander box's password protection feature. Once the password has been set, the user can only monitor and configure the SAS expander box by providing the correct password. The password is used to protect the SAS expander box from unauthorized entry. The SAS expander box will check the password only when entering the main menu from the initial screen. The SAS expander box will automatically go back to the initial screen when it does not receive any command in 5 minutes. The SAS expander box's password is default setting at 0000.

The following flow is an expansion of LCM setup option items menu.



• Alarm Device

Show which device that fail to work, its sub-items could be "Power Supply", "Fan", "Temp Sensor" and "Voltage Sensor".

• Voltage

Show enclosure chip voltage in status data, represent in V. The sub-items are shown as below:

- 1.2V- , the expander controller voltage is 1.2V
- 5V- , the expander controller voltage is 5V

• Set Link

Set HDD devices maximum/minimum link speed rate. The value could be 3.0G or 1.5G each of HDD devices link speed will have the sub-items are shown as below:

- _Set Max. Rate
3.0G
- _Set Min. Rate
1.5G

• Set Alarm

Set enclosure buzzer warning/critical error beep style or mute the current beep. The value could be "Sound 1", "Sound 2", "Sound 3", "Sound 4" and "Sound Disabled". Sound 1 to 4 means different frequency sound. Sound disabled means disable the sound beep. The sub-items are shown below:

- _Set Alarm Beep
Mute beep
- _Warning Alarm
Sound 2
- _Critical Alarm
Sound 3

• Set Password

Change the enclosure LCM/UART CLI password. The sub-item is "Set New PWD".

• Save Config

Save all the updated option value into non-volatile memory area.

• System Reset

Reboot the system.

Redundant Power Supply

The redundant power supply feature consists of hot-swappable power supply modules. If one of the power modules fails, the remaining working modules will continue to provide power to the unit so users do not experience downtime. A replacement power supply could be installed while the unit is running. Once the replacement power supply has been installed, the unit will regain its redundant power feature.

Note: Power must be supplied to all power supply modules in order for the redundant feature to operate correctly.

Fan/Power Fail LED Information (Front Panel)

When the power supply modules or internal cooling fan malfunction, the front fail LED will blink and the alarm will go off. Please see below table:

Description	Alarm Buzzer	Fail LED
Power supply failure	Always on	Blinking red
Cooling fan failure	Beep with one second interval	Blinking red

Note: Pressing down the 'Alarm Reset' button temporarily silences the alarm. Alarm will start buzzing again once the unit has been restarted.