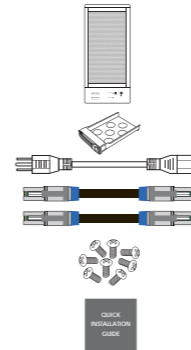




### Package Contents

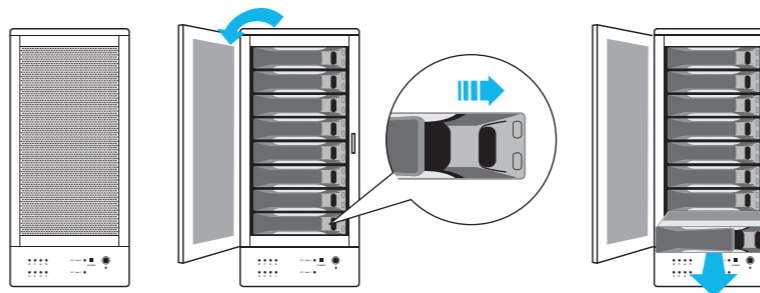
Item	Quantity
TR8X-B/TR8X .....	1
Removable Tray .....	8
Power Cord .....	1
Mini-SAS Cable .....	2
Screws .....	1 set
Quick Installation Guide .....	1

Please contact Sans Digital in case of any missing or damaged items.



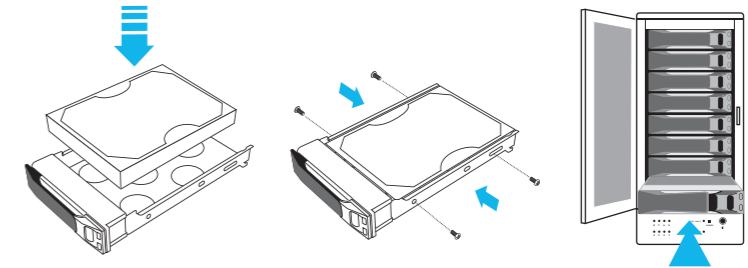
### Hard Drive Installation

1. Open the front hard drive panel of the unit.
2. Remove the hard drive trays by pushing the silver tray tab to the right and releasing the tray handle.

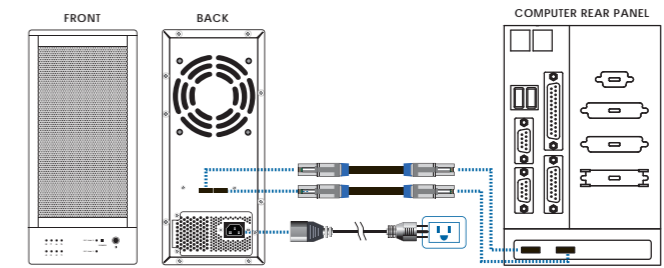


### Hard Drive Installation (Continued)

3. Install each hard drive by placing them into the hard drive trays and securing them on both sides with the included screws.
4. Place the trays back into the unit and lock them in place by pushing the tray handles in.
5. Close the front hard drive panel.



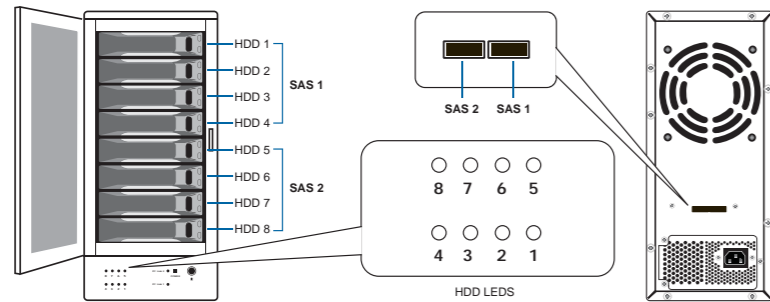
### Connection Diagram



Power ON/OFF: Push the power button located on the front panel to power on/off the unit.

### LED Indicators

Hard drive data access LEDs are located on the bottom of the front panel. The LEDs flash green when the hard drives are being accessed.



### SAS/SATA Hard Drive Support

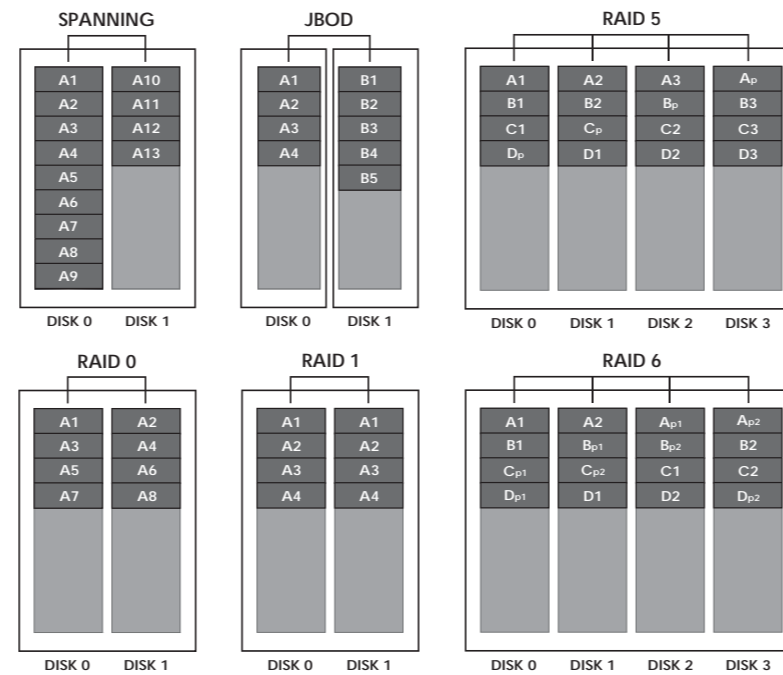
The TowerRAID SAS unit supports both SAS and SATA hard drives with SAS or SATA controllers. SAS hard drives are supported via SAS host bus adapters (HBA) or RAID controllers. SATA drives are supported via both SAS and SATA host bus adapters (HBA) or RAID controllers. No setting changes are necessary on the TowerRAID unit.

### HBA & RAID Controller Card Options

Host bus adapter or RAID controller card bundle options are available. A SAS or SATA host bus adapter allows mini-SAS connection to the host computer where RAID could be setup via computer software. A RAID controller card offloads RAID calculation from computer to a dedicated RAID engines on the card, known as hardware RAID, allowing a faster performance. Please contact Sans Digital for controller card compatibility.

### RAID Mode Setup and Diagrams

To setup RAID mode, please insert the included CD into the computer and install the SATARAID Utility. Follow the installation instructions in the Detailed Manual to fully setup the desired RAID mode.



### Other Sans Digital Products



- **5-Bay IDE / SATA Hard Drive Organizing Rack**
- Designed with a 4.7" cooling fan and a hollow aluminum frame for efficient heat dissipation.
- Designed with an ON/OFF power switch, which controls the power of hard drives, when a 20-pin or 24-pin ATX power supply is connected.
- Expandable to 10-bay by stacking an additional unit on top and securing it with a tool-less screw.



- **2-Bay External RAID Enclosure**
- Tray-less enclosure supporting RAID 0, RAID 1, JBOD and Spanning.
- Cable-less backplane design, supporting SATA I and SATA II HDDs.
- eSATA host interface.
- Simple plug-and-play with easy hard drive installation.
- Ventilating protective front panel.
- Supports Windows, MAC and Linux.



- **4-Bay External RAID Enclosure**
- Accesses 4 hard drives while using only one cable.
- Supports eSATA via Port Multiplier.
- 2 port PCIe card included.
- Supports Windows, Linux, and MAC OS X.
- Cable-less, tray-free design with dust cover.
- Available in black and silver finish.



- **8-Bay External RAID Enclosure**
- One USB cable supporting up to 8 hard drives.
- Supports JBOD and three different sets of spanning modes: one set with eight HDDs, two sets with four HDDs, and four sets with two HDDs.
- Cable-less backplane design, supporting SATA I and SATA II HDDs.
- Easy to install hard drive trays for simple hard drive access.
- Supports Windows, MAC and Linux.

T: 1.800.980.1988 F: 1.626.322.3878 E: INFO@SANSDIGITAL.COM W: WWW.SANSDIGITAL.COM